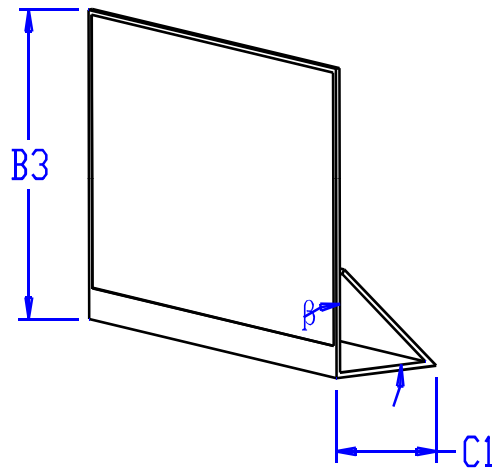
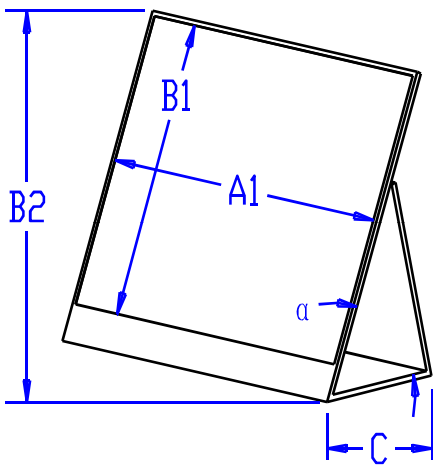


## MicroFlip Series Dimensions Table

Unit: mm														
Model	Screen Diag/Aspect Ratio	Overall Width (A)	View Width (A1)	Overall Length (B)	View Height (B1)	Height at max. angle (B2)	Height at min. angle (B3)	B4	B5	C	C1	Depth (C)	Min angle ( $\alpha$ )	Max angle ( $\beta$ )
PB15G7	15" (4:3)	315	305	546	229	248	271	272	160	118	118	6	65°	95°
PB17G7	17.5" (4:3)	366	356	624	267	283	311	312	190	128	128	6	65°	95°
PB20G7	20" (4:3)	416	406	680	305	308	339	340	190	156	156	6	65°	95°
Unit: inch														
Model	Screen Diag/Aspect Ratio	Overall Width (A)	View Width (A1)	Overall Length (B)	View Height (B1)	Height at max. angle (B2)	Height at min. angle (B3)	B4	B5	C	C1	Depth (C)	Min angle ( $\alpha$ )	Max angle ( $\beta$ )
PB15G7	15" (4:3)	12.4	12.0	21.5	9.0	9.8	10.7	10.7	6.3	4.6	4.6	0.2	65°	95°
PB17G7	17.5" (4:3)	14.4	14.0	24.6	10.5	11.1	12.2	12.3	7.5	5.0	5.0	0.2	65°	95°
PB20G7	20" (4:3)	16.4	16.0	26.8	12.0	12.1	13.3	13.4	7.5	6.1	6.1	0.2	65°	95°



Expansion dwg

